

# A WORLD OF SOLUTIONS

THESE PRODUCTS ARE CERTIFIED:



## SMART SOLUTIONS FOR THE LABELING INDUSTRY

### UNWINDER & REWINDER FOR COLORDYNE CDT 1600-C PRINTERS



LABEL UNWINDER - Colordyne CDT 1600-C Printer (not included) - LABEL REWINDER

The rewinder and unwinder for Colordyne CDT 1600-C printer can handle media up to 240mm wide, it rewinds or unwinds rolls having an outside diameter up to 250mm with a 3" fixed internal diameter core.

Once loaded the empty cardboard core and the outer plate the user has to screw the knob to get them fixed on the core. To unload the roll the user has just to loosen the knob.

To guarantee the media path aligned in the system, it is available the printer plate to connect the rewinder and unwinder together and where lean the Colordyne printer.

An external power supply 100/240VAC - 2.5A  $\overline{\text{~}}$  at 24V allows an electronic circuit to provide, through the tension arm, the adjustment of the rotation's speed and rotation's direction. A 2A fuse is used as protection.

The sense and speed of rotation for both unit are adjusted automatically to the printer's behaviour through the tension arm.

#### LABEL UNWINDER

The position of the tension arm is calibrated as follows:

- When the printer forwards the media for printing, the tension arm goes up, the device unwinds the media.
- When the tension arm is in the middle position, the device is idle.
- When the printer pulls back the media, the tension arm goes down, the device rewinds it.

#### LABEL REWINDER

The position of the tension arm is calibrated as follows:

- When the printer forwards the media for printing, the tension arm goes down, the device rewinds the media.
- When the tension arm is in the middle position, the device is idle.
- When the printer pulls back the media, the tension arm goes up, the device unwinds it.

#### LABEL UNWINDER

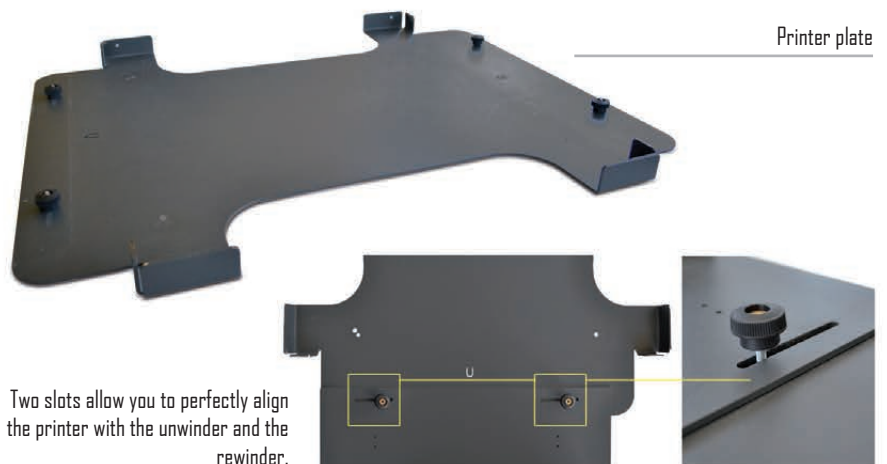
MCH27UR2C	3" fixed core holder
-----------	----------------------

#### LABEL REWINDER

MCH27RU2C	3" fixed core holder
-----------	----------------------

#### PRINTER PLATE

CDT-JPL	printer plate for CDT 1600-C
---------	------------------------------



Two slots allow you to perfectly align the printer with the unwinder and the rewinder.